

SJE VERTICALMASTER® II Plus Pump Switch

Mechanically-activated, pump switch designed to operate in sump applications with limited space.

This mechanically-activated pump switch is designed to operate in non-potable water with limited space. It works well in small sump chambers and laundry trays, as well as in large tanks. This switch is not recommended for a sewage environment.

The SJE VerticalMaster® II Plus pump switch is not sensitive to turbulence.

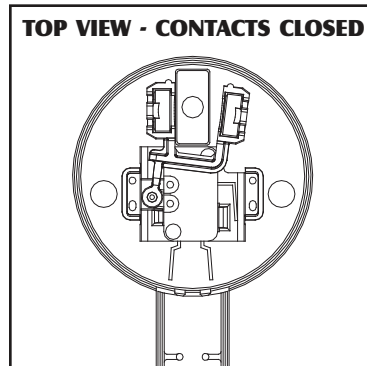
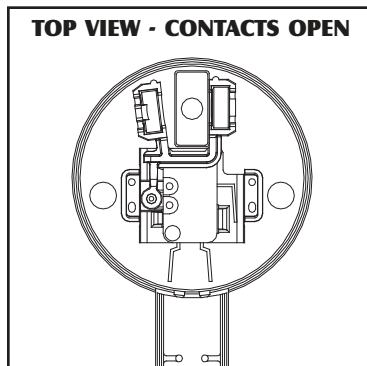
It is available for pump down application only.



U.S. Patent No. 6,140,925
Foreign Patents Pending

FEATURES

- Adjustable pumping range of 2 to 17 cm (.75 to 6.5 inches).
- Includes standard boxed packaging.
- UL Recognized for use in non-potable water.
- CSA Certified.
- Three-year limited warranty.



OPTIONS

This switch is available:

- CE Compliant units available upon request.
- in standard cable lengths of 3, 5, 6, and 10 meters (10, 15, 20, or 30 feet)

SPECIFICATIONS

CABLE: flexible 16 gauge, 2 conductor (UL, CSA) SJTOW, SJTW

MOUNTING BRACKET & HOSE CLAMP: stainless steel

LIFT ROD: injection molded acetal plastic

FLOAT STOP: neoprene

SWITCH AND FLOAT HOUSING: high impact, corrosion resistant, PVC housing for use in non-potable water up to 52°C (125°F)

Overall dimensions: 30.5 cm high x 12.7 cm x 7.6 cm wide (12 inch high x 5 inch x 3 inch wide)

Switch housing dimensions (excluding cable entrance): 5 cm high x 7.1 cm diameter (2 inch high x 2.8 inch diameter)

Float housing dimensions: 6.4 cm high x 6.9 cm diameter (2.5 inch high x 2.7 inch diameter)

ELECTRICAL:

125/250 VAC 50/60Hz Single Phase:

Maximum Pump Running Current: 13 amps

Maximum Pump Starting Current: 78 amps

NOTE: This switch must be used with pumps that provide integral thermal overload protection. This switch is **NOT** recommended for non-arcing electrical loads.

SJE VERTICALMASTER® II Plus Pump Switch

Mechanically-activated, pump switch designed to operate in sump applications with limited space.

ORDERING INFORMATION

PART NUMBER Pump Down Only	DESCRIPTION		SHIPPING WEIGHT
	Cable Length	Plug Configuration	
1023398	3 Meters	No Plug	0.75 kgs.
1023399	5 Meters	No Plug	0.94 kgs.
1023400	6 Meters	No Plug	1.07 kgs.
1023401	10 Meters	No Plug	1.38 kgs.

Contact SJE-Rhombus for pricing or submit an on-line quote request at www.sjerhombus.com.
Units with plug available upon request.

OPTIONS

MOUNTING BRACKET AND HOSE CLAMP ARE STANDARD

BOXED PACKAGING IS STANDARD

Bulk packaging is not available.

ADDITIONAL CABLE LENGTH IS AVAILABLE

SPECIFICATIONS

PUMPING RANGE: 2 cm to 17 cm (.75 to 6.5 inches)

CABLE: flexible 16 gauge, 2 conductor SJTOW, SJTW (UL, CSA)

MOUNTING BRACKET AND HOSE CLAMP: stainless steel

LIFT ROD: injection molded acetal plastic

FLOAT STOP: neoprene

SWITCH AND FLOAT HOUSING: high impact, corrosion resistant, PVC housing for use non-potable water up to 52°C (125°F)

Overall dimensions: 30.5 cm high x 12.7 cm x 7.6 cm wide (12 inch high x 5 inch x 3 inch wide)

Switch housing dimensions (excluding cable entrance): 5 cm high x 7.1 cm diameter (2 inch high x 2.8 inch diameter)

Float housing dimensions: 6.4 cm high x 6.9 cm diameter (2.5 inch high x 2.7 inch diameter)

ELECTRICAL:

Voltage 50 Hz/60Hz Single Phase	Maximum Pump Running Current	Maximum Pump Starting Current
125 VAC	13 amps	78 amps
250 VAC	13 amps	78 amps

THIS SWITCH:

- must be used with pumps that provide integral thermal overload protection
- has IPx7 enclosure protection
- is suitable for category II installations
- is protected by double insulation

UL Recognized for Water & Sewage



OTHER INFORMATION

DIRECT WIRING

Units used for direct wiring (without plug) may be used in either 120 VAC or 230 VAC applications within specified amp ratings.

PUMP DOWN is normally open contacts for emptying.

- CE Compliant units available upon request.



www.sjerhombus.com
sje@sjerhombus.com